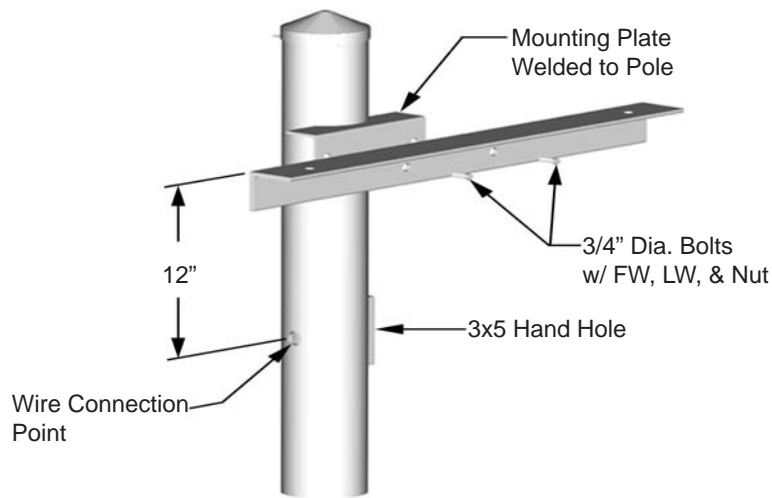
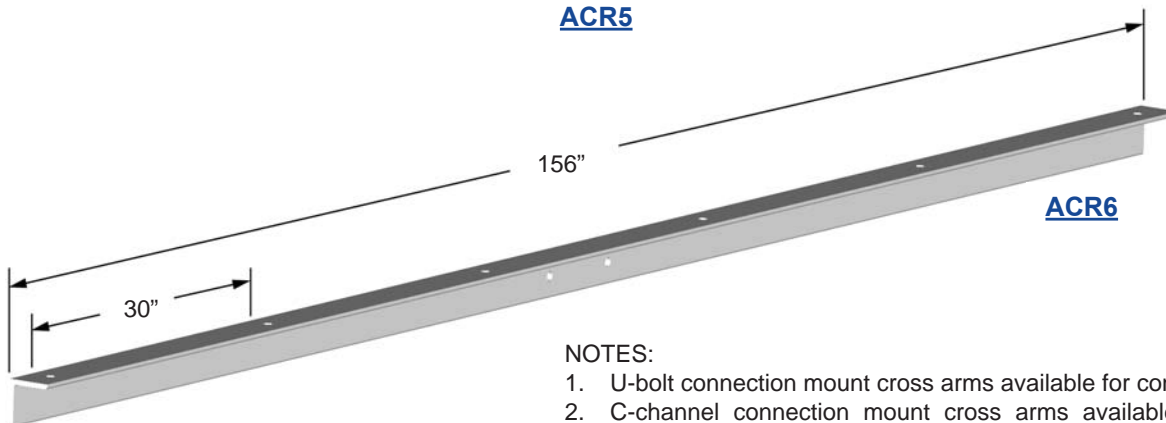
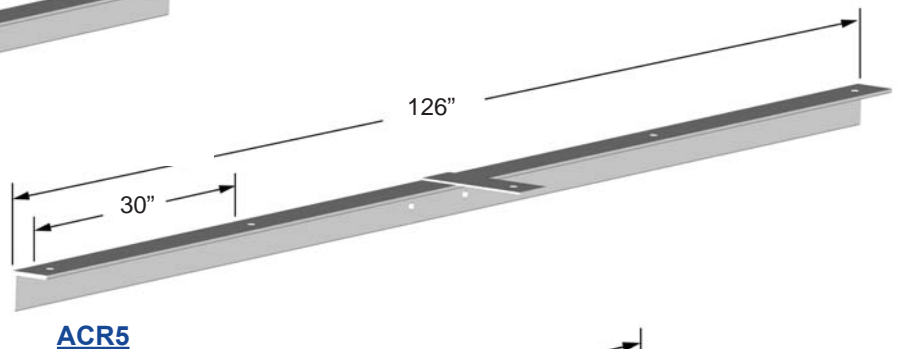
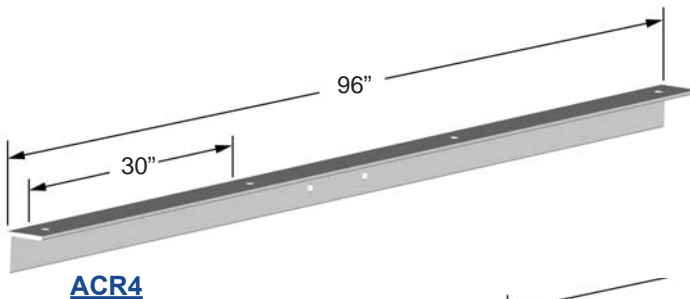
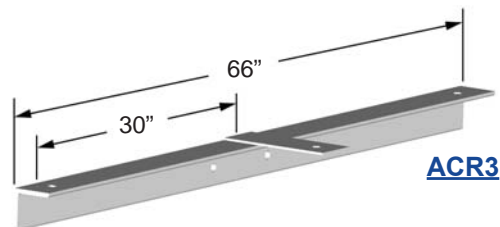
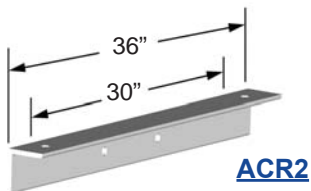


Cross Arm Brackets



Catalog Number	EPA (ft ²)	Weight (lbs)
ACR2	1.74	30
ACR3	2.73	47
ACR4	3.97	68
ACR5	5.95	103
ACR6	7.37	127



NOTES:

1. U-bolt connection mount cross arms available for concrete poles.
2. C-channel connection mount cross arms available for wood poles.
3. Overall cross arm length may vary.

