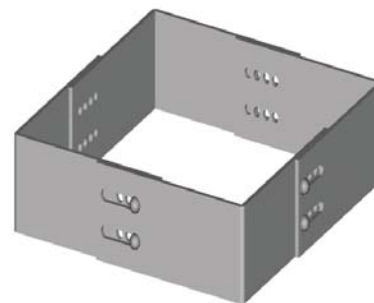
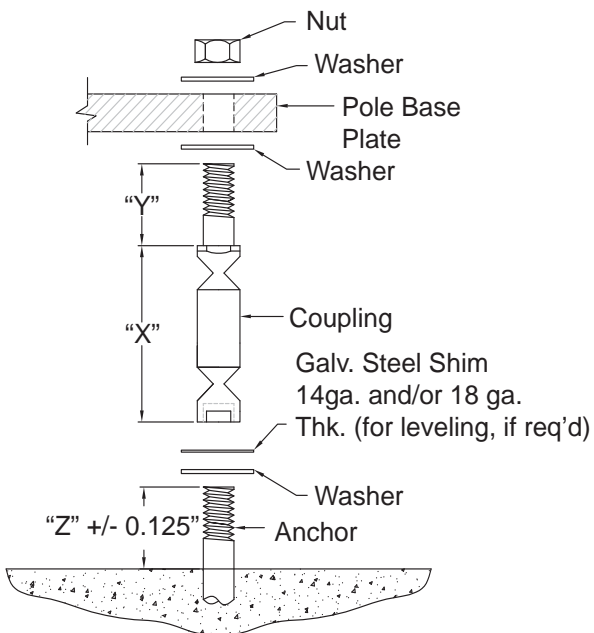
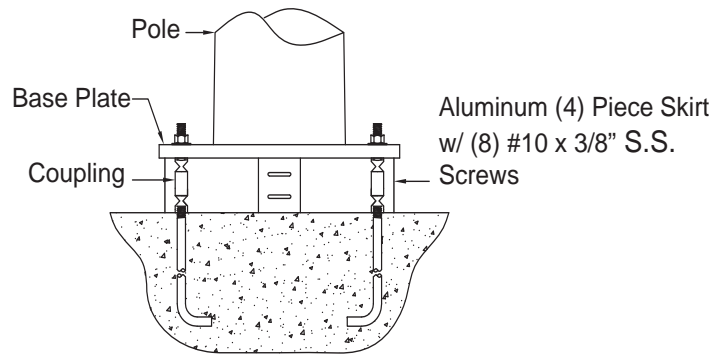




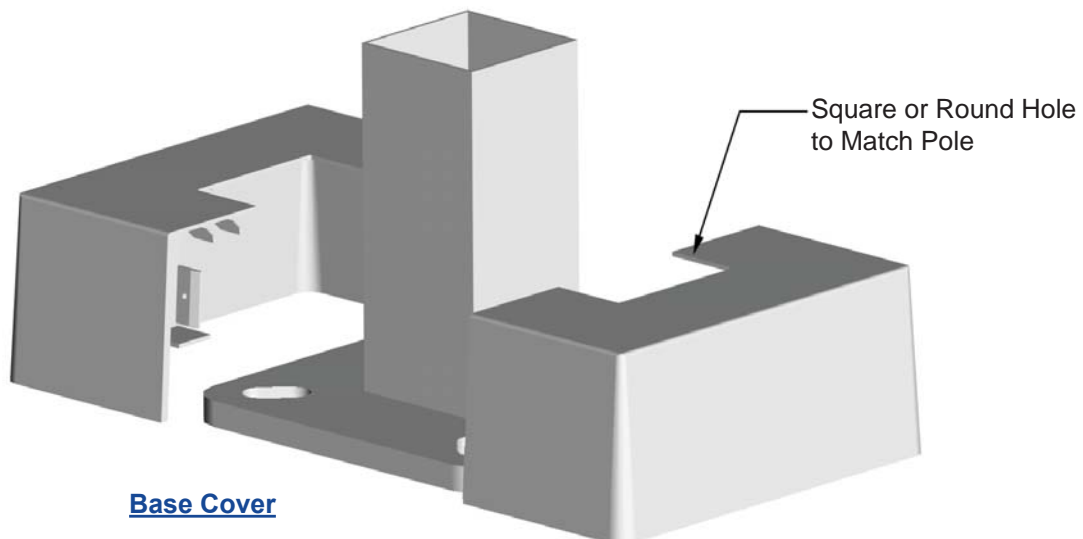
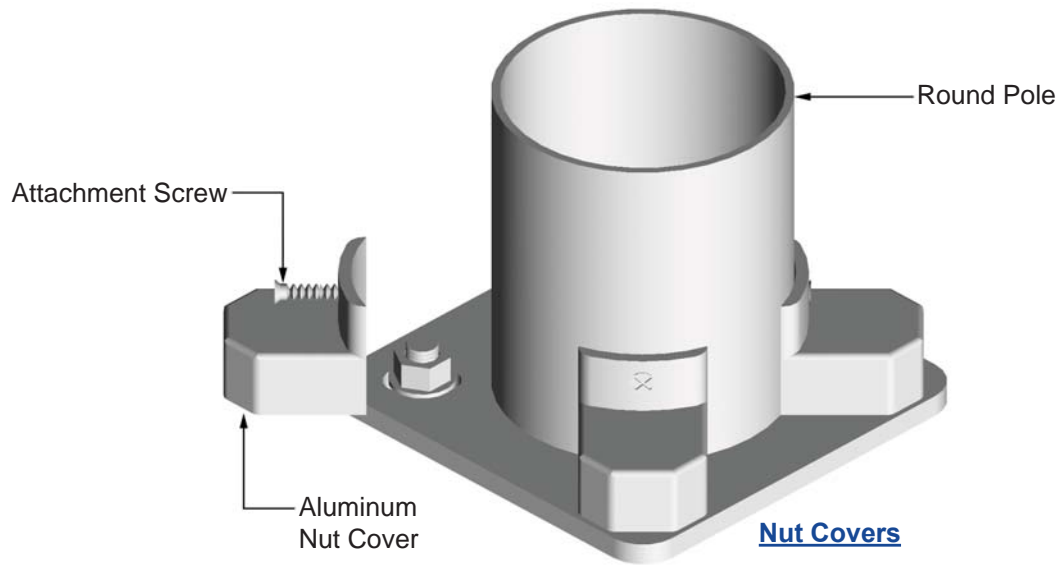


Catalog Number	Anchor Bolt Diameter (in)	"X" (in)	"Y" (in)	"Z" (in)
BAC-4075	0.75	5.31	2.25	1.38
BAC-4100	1.00	6.69	2.75	1.50
BAC-4125	1.25	6.88	3.25	1.50

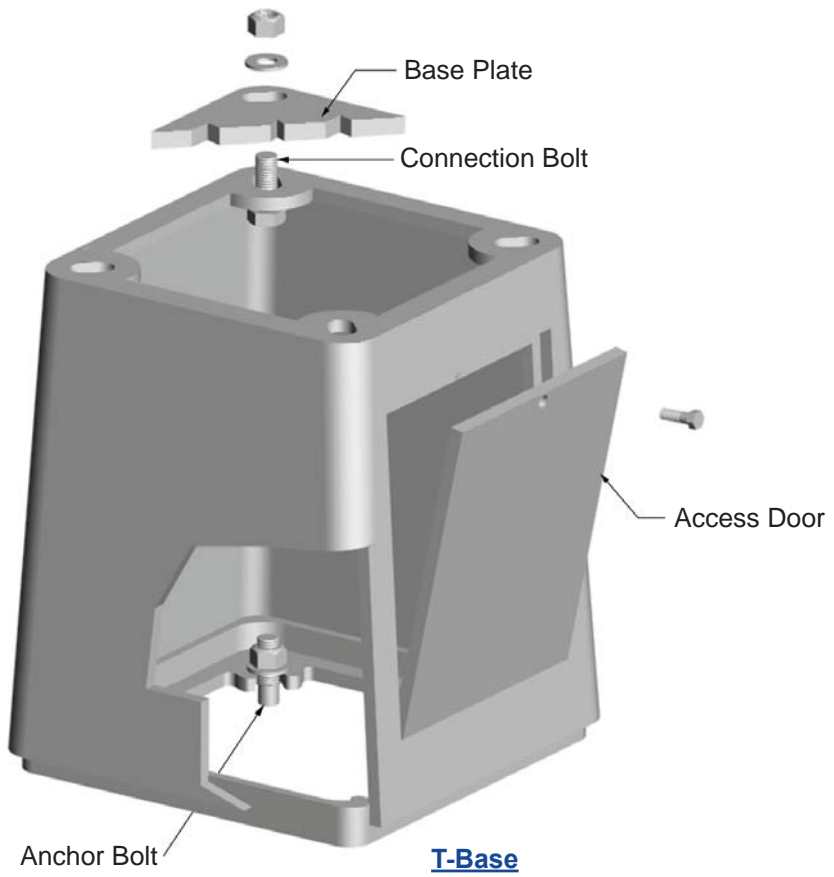


**Aluminum 4-Piece Skirt**

## Accessories - Base & Nut Covers



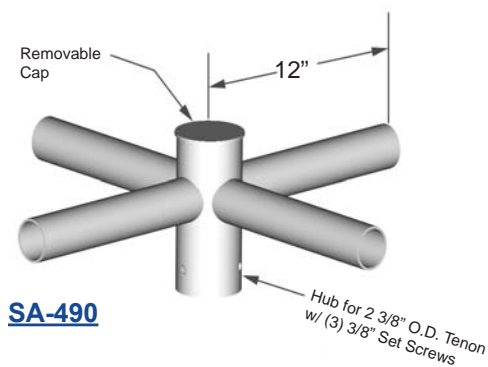
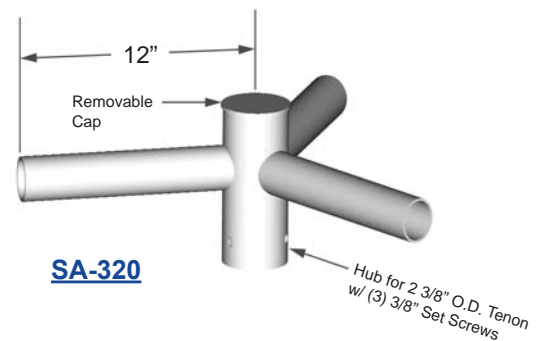
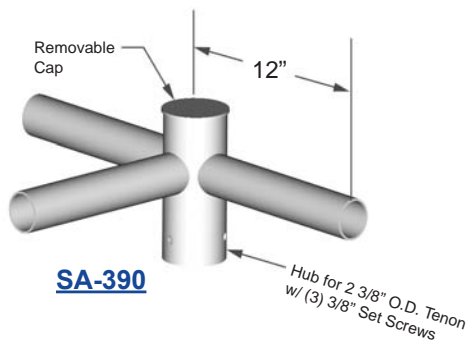
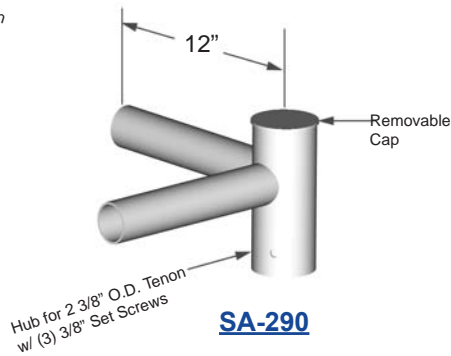
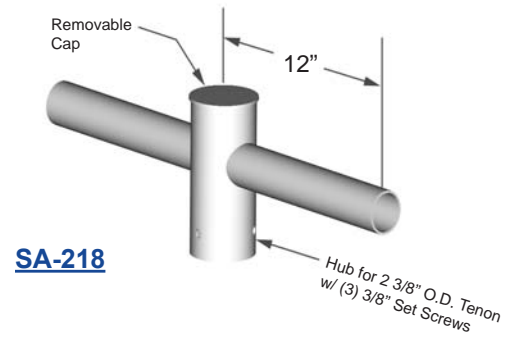
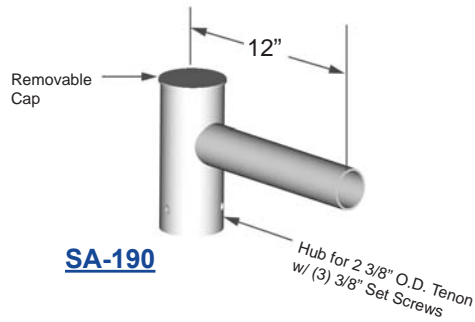
Standard plastic cover is provided unless otherwise requested. 14 gauge steel cover is available, contact factory.



Catalog Number	Maximum Lum Mtg. Height (ft)	Maximum Applied Weight (lbs)	Bottom Bolt Circle range (in)	Top Bolt Circle range (in)	Maximum Anchor Bolt Diameter (in)	Maximum Top Connecting Bolt Diameter (in)
TB1	55	950	14 - 15	12 - 13.5	1.00	1.00
TB2	40	550	10 - 12	10 - 12	1.00	1.00
TB3	55	900	15 - 17.25	13 - 15.125	1.25	1.25

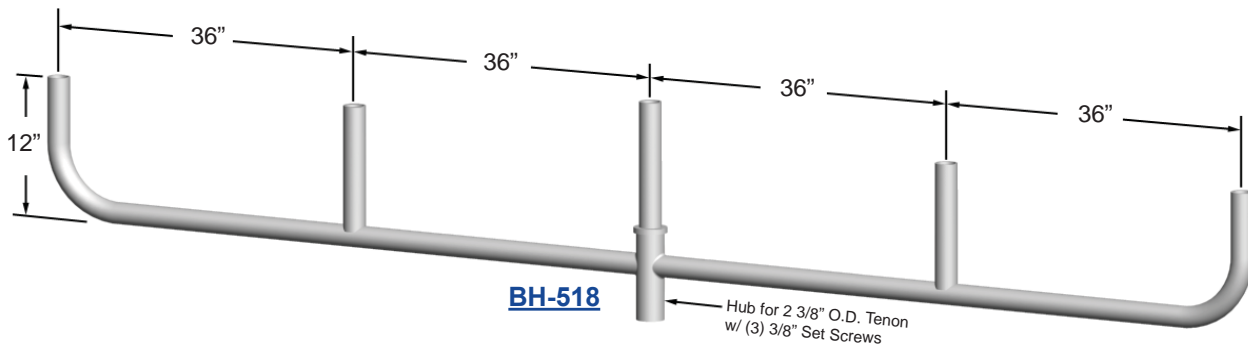
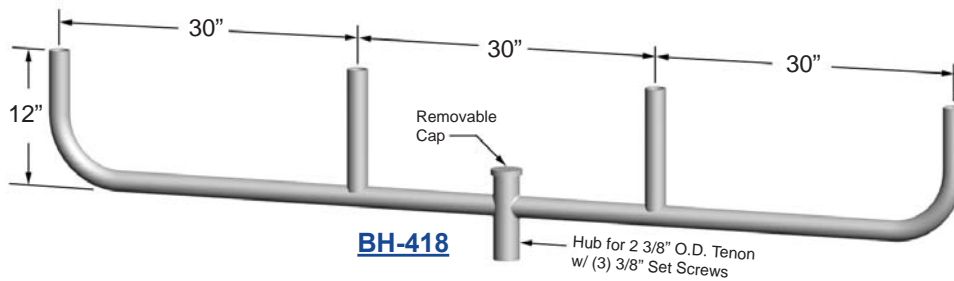
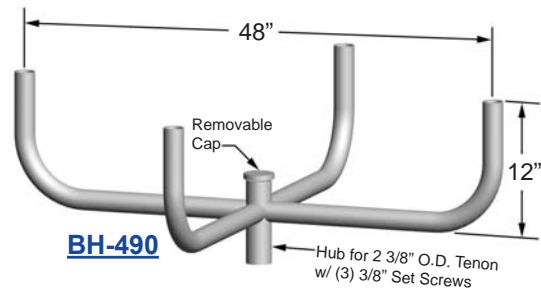
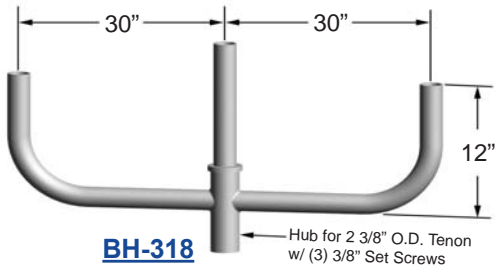
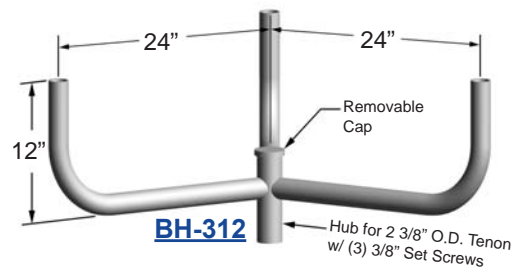
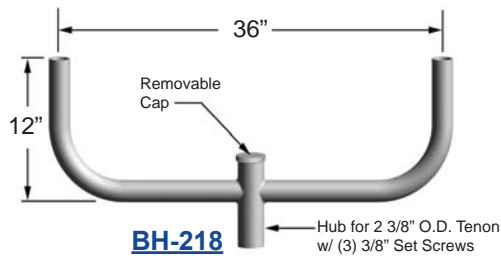
Use leveling shims with all transformer bases. **DO NOT USE LEVELING NUTS.** Consult factory for loading capacities and applicability of use.

# Accessories - Spoke Arms



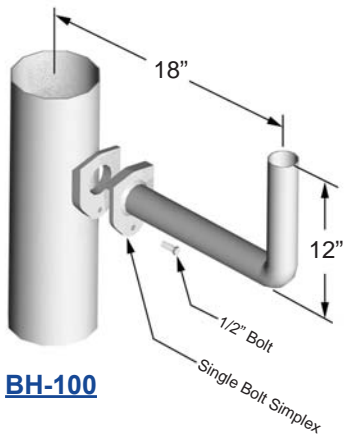
Catalog Number	Luminaire Quantity	Weight (lbs)	EPA (ft <sup>2</sup> )
SA-190	1	8	0.3
SA-218	2	11	0.4
SA-290	2	11	0.4
SA-320	3	15	0.5
SA-390	3	15	0.5
SA-490	4	18	0.6



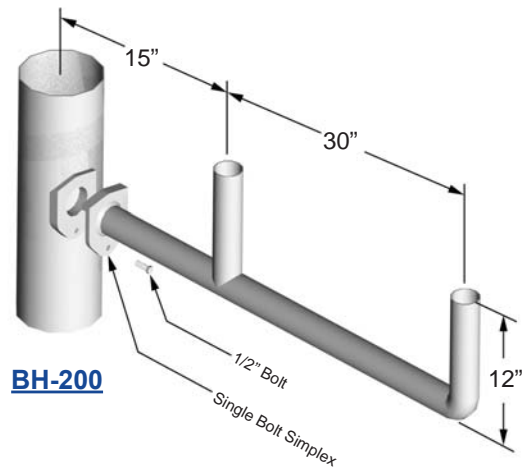
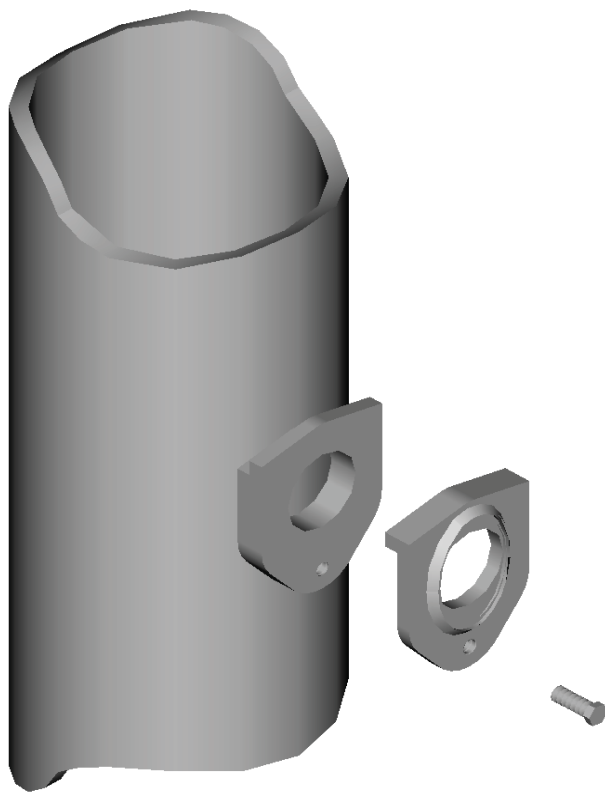


Catalog Number	Luminaire Quantity	Weight (lbs)	EPA (ft <sup>2</sup> )
BH-218	2	21	1.0
BH-318	3	32	1.6
BH-312	3	34	1.3
BH-418	4	44	2.3
BH-490	4	44	1.6
BH-518	5	86	3.5

All top-mounted bullhorn brackets are fabricated from 2" sch. 40 pipe. Each includes 2 1/2" sch. 40 hub for mounting to standard 2 3/8" O.D. tenon with (3) 3/8" set screws.

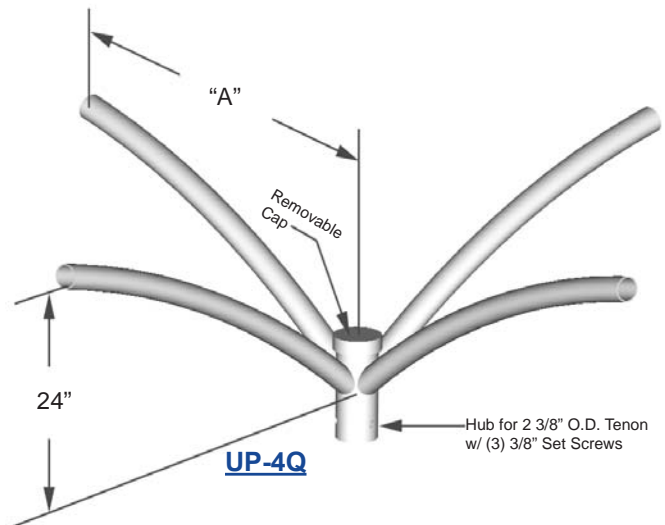
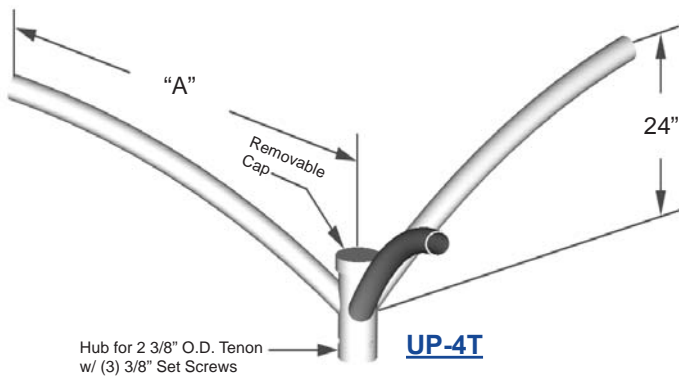
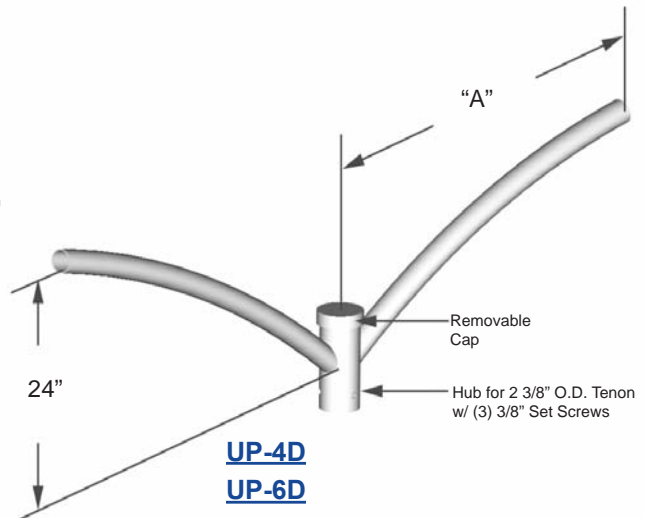
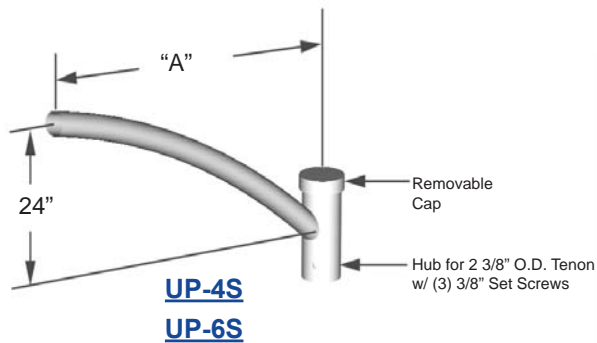


Catalog Number	Luminaire Quantity	Weight (lbs)	EPA (ft <sup>2</sup> )
BH-100	1	18	0.7
BH-200	2	41	1.4



All side-mounted bullhorn brackets are fabricated from 2" sch. 40 pipe. Each includes single-bolt cast simplex and (1) 1/2" bolt.



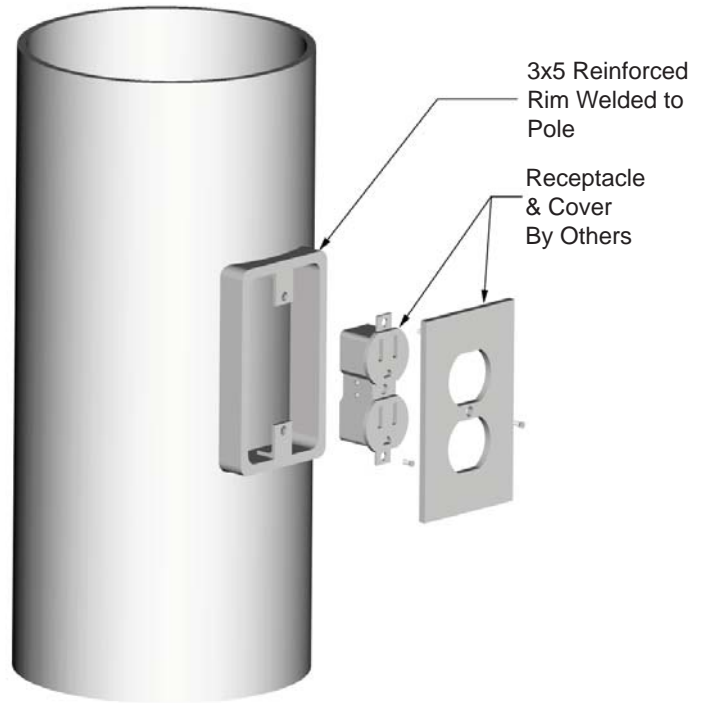


Catalog Number	Arms	"A" Span (ft)	Weight (lbs)	EPA (ft <sup>2</sup> )
UP-4S	1	4	22	1.1
UP-6S	1	6	29	1.5
UP-4D	2@180°	4	40	2.1
UP-6D	2@180°	6	54	2.8
UP-4T	3@120°	4	57	1.8
UP-4Q	4@90°	4	75	2.8

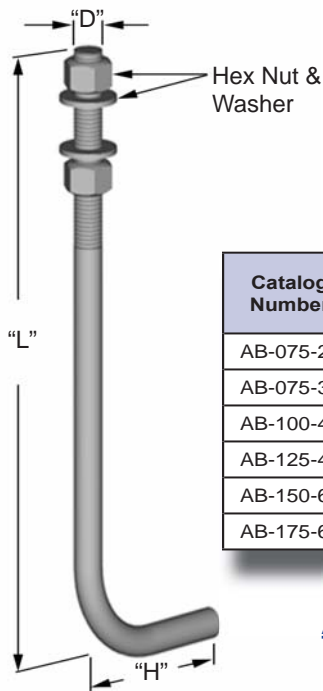


Catalog Number	Description
CPL-150	1.5" Coupling
CPL-200	2.0" Coupling
CPL-250	2.5" Coupling
CPL-300	3.0" Coupling

**Coupling**



**Festoon Box**



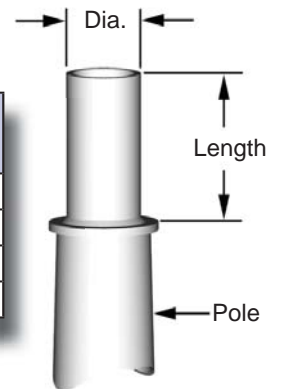
Catalog Number	"D" (in)	"L" (in)	"H" (in)
AB-075-20	0.75	17	3
AB-075-33	0.75	30	3
AB-100-40	1.00	36	4
AB-125-48	1.25	42	6
AB-150-60	1.50	54	6
AB-175-60	1.75	54	6

**Anchor Bolt**

**Material Specifications**

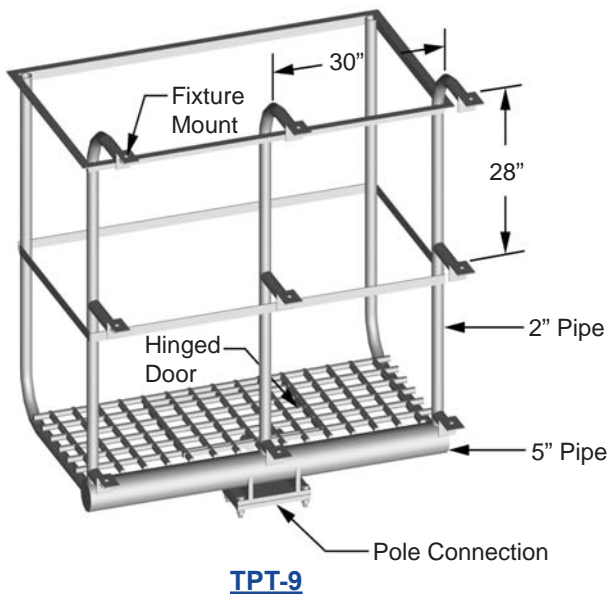
Anchor Bolts: ASTM F1554 GR. 55  
 Heavy Hex Nuts: ASTM A536 GR. DH  
 Flat Washers: ASTM F436  
 Galvanizing: ASTM A153  
 Galvanized minimum of 12" from top.  
 Fully galvanized anchor bolts are available.

Catalog Number	Dia. (in)	Length (in)
T20R	2.375	5.0
T25R	2.875	5.0
T30R	3.500	5.0
T35R	4.000	5.0



**Tenon**

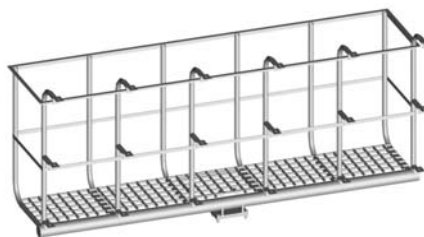




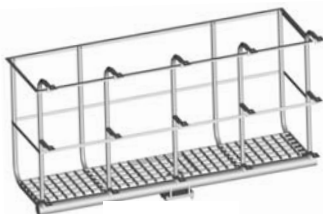
**TPT-9**



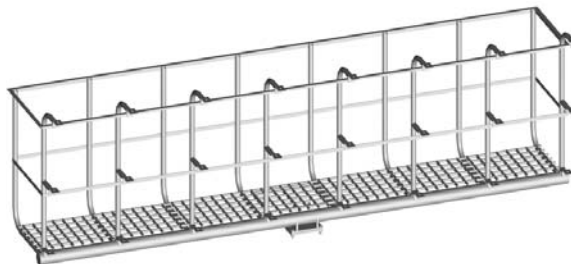
**TPT-12**



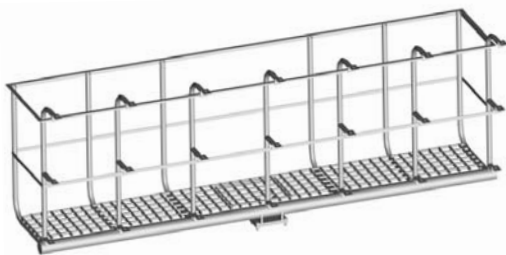
**TPT-18**



**TPT-15**



**TPT-24**



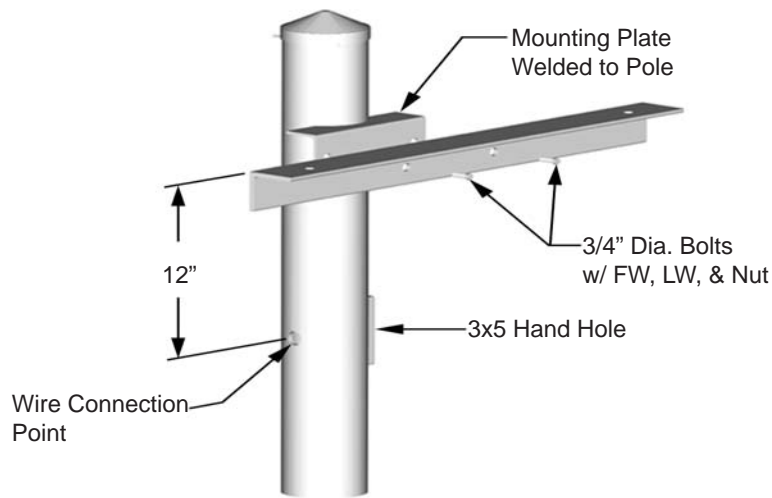
**TPT-21**

Catalog Number	Luminaire Quantity	EPA (ft <sup>2</sup> )	Weight (lbs)
TPT-24	22-24	22.00	1121
TPT-21	19-21	18.33	622
TPT-18	16-18	15.70	567
TPT-15	13-15	12.90	466
TPT-12	10-12	10.10	364
TPT-09	0-9	7.75	270

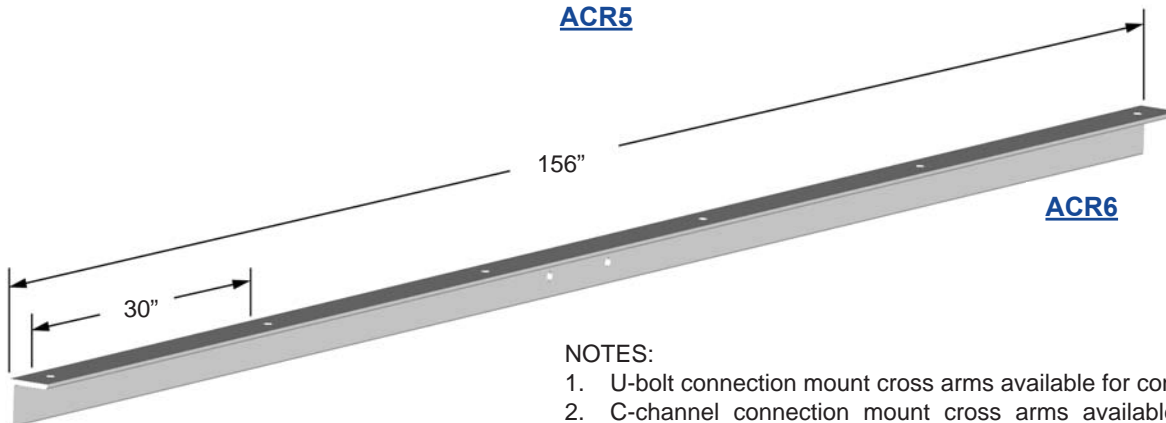
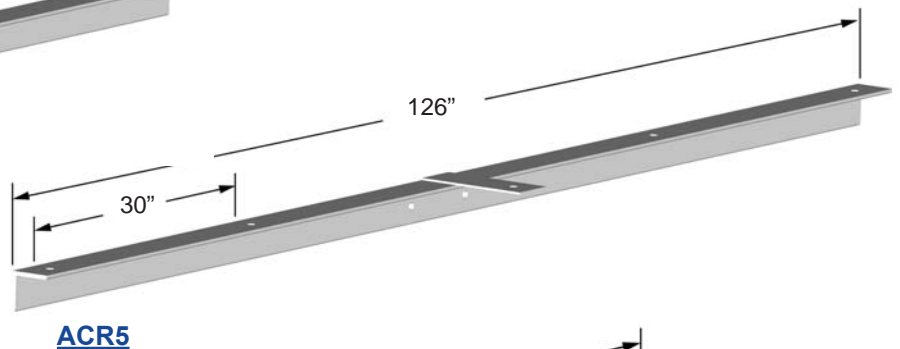
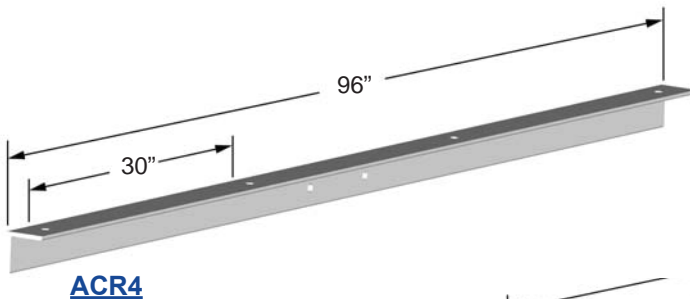
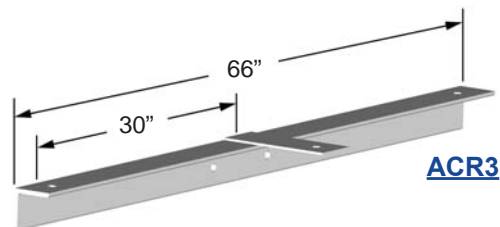
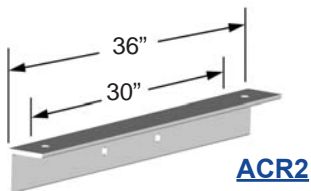
**NOTES:**

1. Platforms may be designed for rear-mounted fixtures, specify front and back quantities.
2. Multiple platforms may be used with subsequent platforms side-mounted, contact the factory for more information.
3. Optional pre-raced female receptacle provided at each fixture location. Consult factory for information.
4. Complete pre-wired systems are also available. Please contact factory for more information.

# Cross Arm Brackets



Catalog Number	EPA (ft <sup>2</sup> )	Weight (lbs)
ACR2	1.74	30
ACR3	2.73	47
ACR4	3.97	68
ACR5	5.95	103
ACR6	7.37	127



**NOTES:**

1. U-bolt connection mount cross arms available for concrete poles.
2. C-channel connection mount cross arms available for wood poles.
3. Overall cross arm length may vary.

